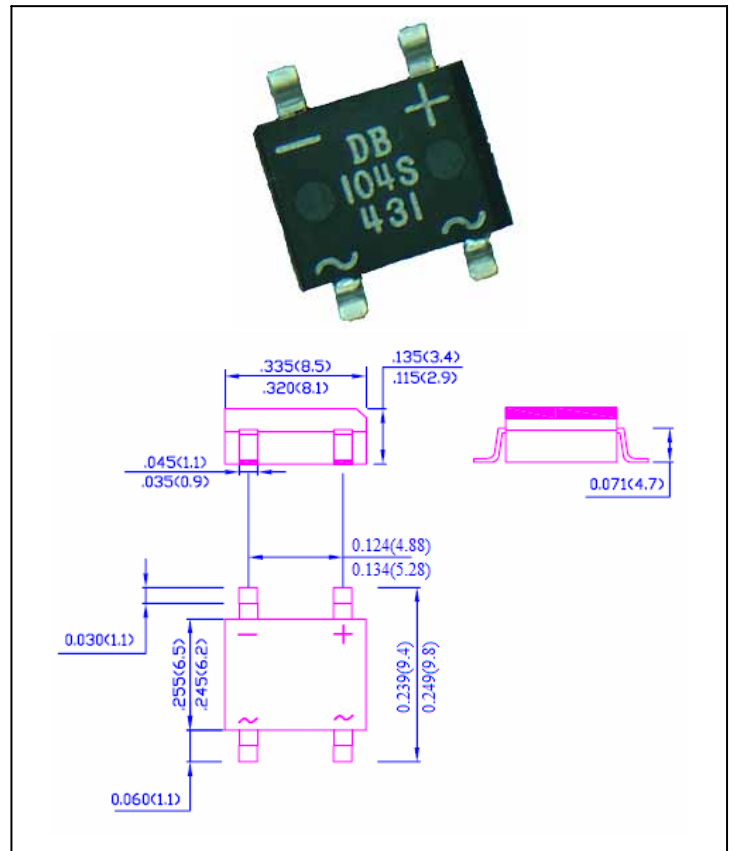


Feature & Dimension

- . Plastic Package has Underwriters Laboratory Flammability Classification 94V-0
- . Glass passivated chip junctions
- . Surge overload rating of 50 Amperes peak
- . Ideal for printed circuit board

MECHANICAL DATA

- . Case: Molded plastic
- . Weight: 0.04 ounce, 1.0 gram
- . High temperature soldering guaranteed : 260 /10seconds



Product Characteristic

Parameter Symbol	Symbo	DB102S	DB103S	DB104S	DB105S	DB106S	DB107S	Unit
		DF01S	DF02S	DF04S	DF06S	DF08S	DF10S	
Maximum repetitive voltage	V_{RM}	100	200	400	600	800	1000	V
Maximum DC reverse current at rated DC blocking voltage	I_R	10						μA
		500						
Average rectified forward current 60Hz Sine wave Resistance load with heat sink $T_c=100$	I_o	1						A
Peak forward surge current 10ms single half sine-wave superimposed on rated load	I_{FSM}	50						A
Maximum instantaneous forward voltage at 1A	V_F	1.1						V
Operating junction temperature	T_J	125						
Storage temperature	T_{stg}	-40~150						

Characteristic Curves

Fig. 1 derating Curve

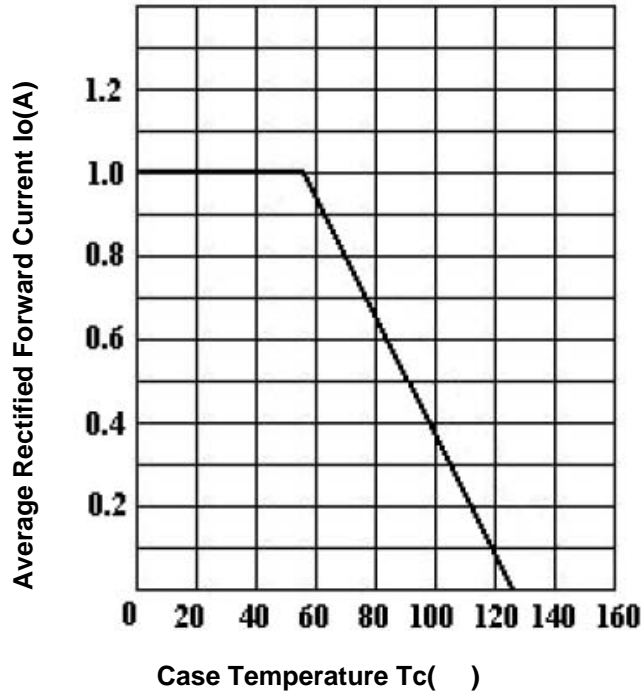


Fig.2 Typical Reverse Characteristics

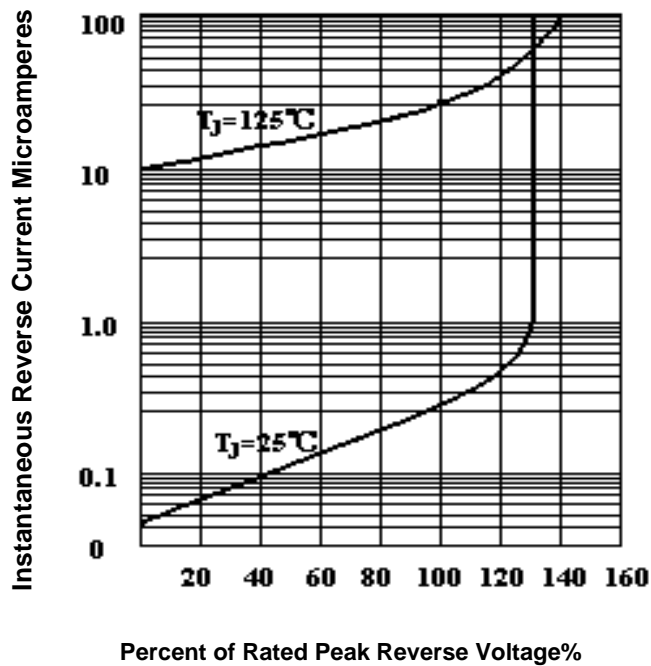


Fig.3 Peak Surge Forward capability

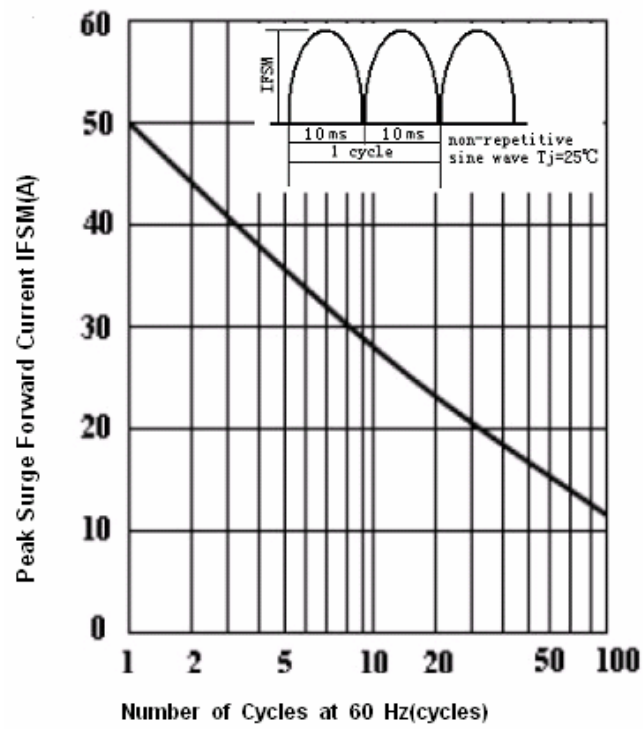
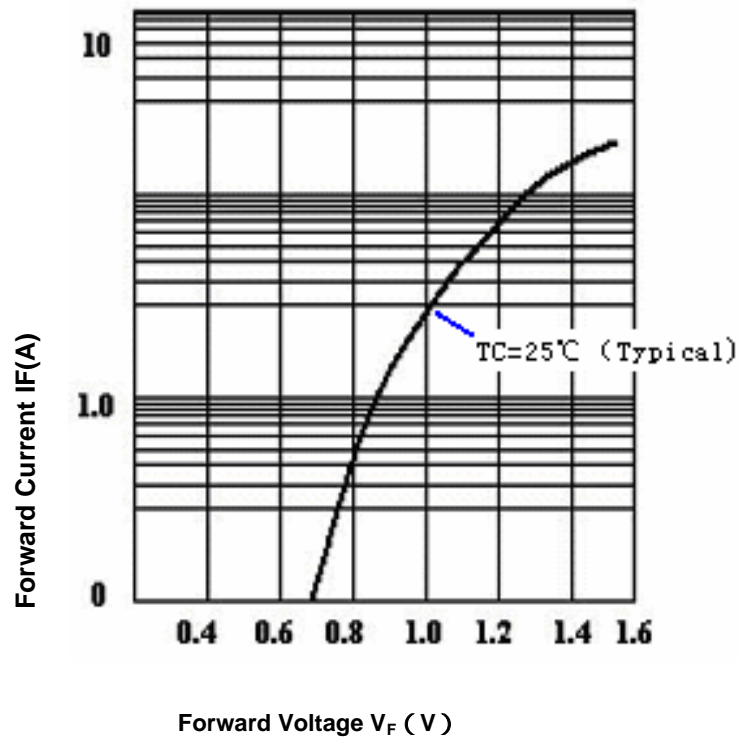
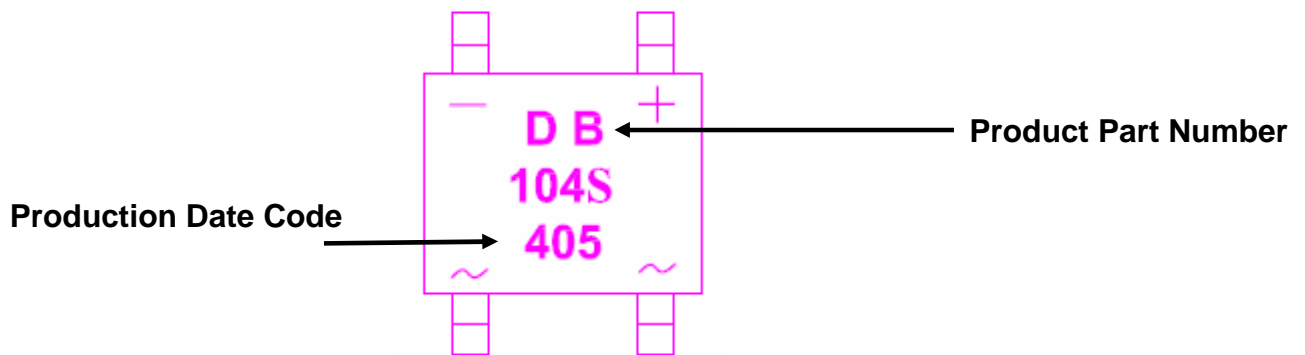


Fig.4 Forward Voltage



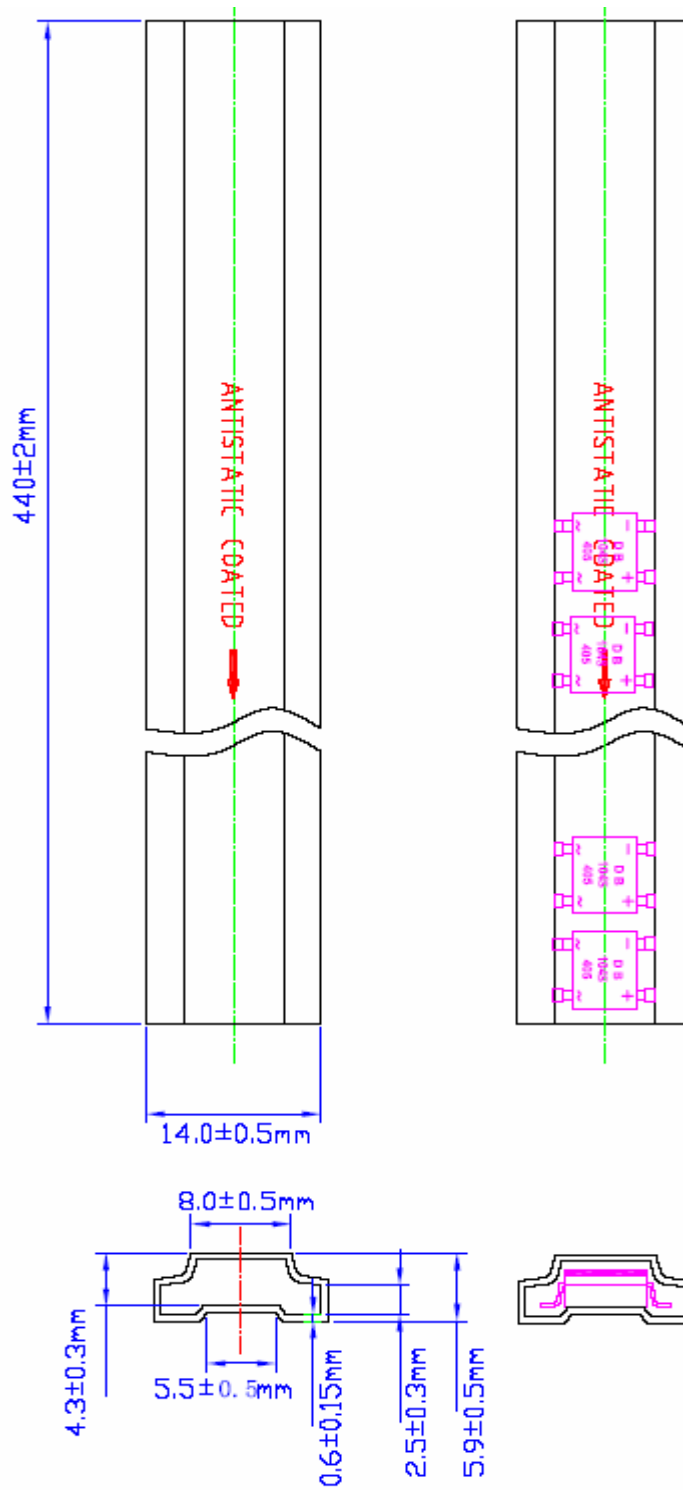
Marking Identification



Note: 1. *Production Date Code* contains 3 digits. For example "405", the first digit "4" stands for year 2004, and the other two digits "05" means week 5. So this product is made in the 5th week in 2004.

Packing
(Tube&Carton Package)

Packing Tube (normal length lead)



.Anti-static packing tube

.50pcs per tube